



SM80-EI

>> LOW COST CLEVER MOTOR

**Nuova linea di motori intelligenti
con elettronica integrata 310 Vdc (220 Vac opt.)**

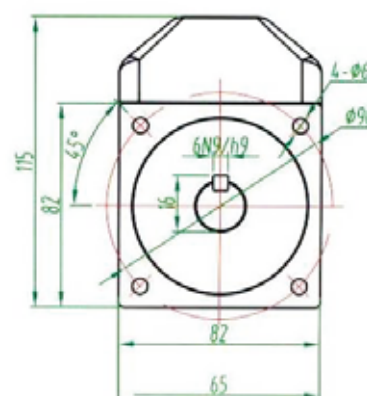
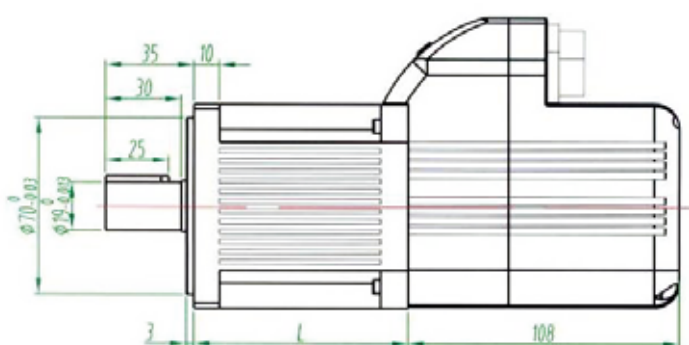


ENCODER ASSOLUTO STANDARD 12 bit
ANALOG INPUT ± 10 Vdc
STEP + DIR
MODBUS / CANBUS / ETHERCAT (optional)
DC BUS 310 V
DA 1.3 a 3.3 Nm

PREZZI A PARTIRE DA 200 €



Model	ML 80-013-30 LFB		ML 80-024-30 LFB			ML 80-033-30 LFB		
Power (KW)	0.4		0.75			1.0		
Nominal torque (Nm)	1.3		2.4			3.3		
Nominal speed (rpm)	3000		3000			3000		
Nominal current (A)	2.6		4.2			4.2		
Rotor inertial (kg m ²)	0.61 x 10 ⁻⁴		1.06 x 10 ⁻⁴			1.37 x 10 ⁻⁴		
Mechanical time constant (ms)	1.38		0.95			0.85		
Feedback	12 bit (magnetic absolute encoder)							
Encoder plug	SPI_CLK+	SPI_CLK-	SPI_CS+	SPI_CS-	SPI_D+	SPI_D-	5V	0V
Insulation class	F							
Environment	Ambient temperature: 0 ~ 55°C Ambient humidity: 90% RH max (non-condensation)							
Protection degree	IP65							
Weight (kg)	2.1		2.7			3.2		



Power (KW)	0.4	0.75	1.0
L	190	216	231

Users can select all the parameters quickly and easily, detailed classification of the parameter settings will help users to get a maximize performance.

Through advanced PID control system, users can quickly adjust the loop parameters to achieve the ideal state.

Servofly can also auto tune the drive to the servo motor, and sets parameters automatically.

Servofly is advanced software to help customers tune, and program our range of servo drives to suit a wide variety of applications.

We will constantly improve the software and add more features, and make the software even more user friendly. Users can download the latest version from our official website.

