

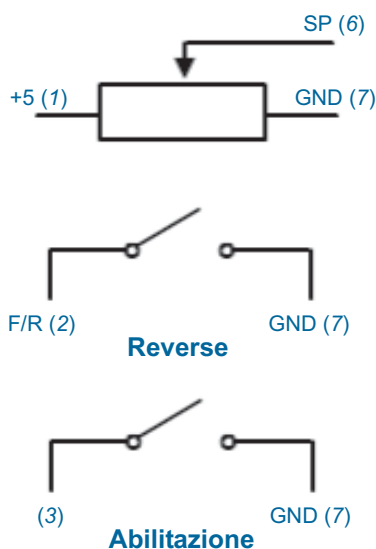
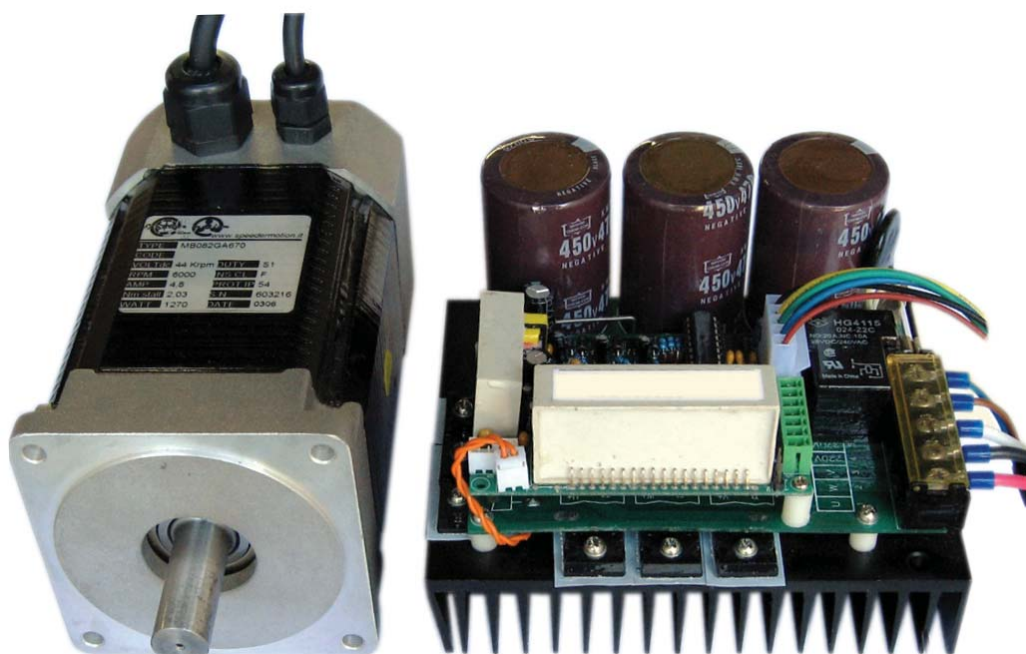
>> AZIONAMENTO BRUSHLESS CON REAZIONE DI HALL

NOTES:

Voltage: 220 VAC
 Current: 8 / 10,5 A
 Temperature Range: -30°C ~ +75°C
 Running Hours: >= 10000 h
 Output Power: 2200 W

DIMENSIONI

Profondità: 110 mm
 Larghezza: 140 mm
 Altezza: 90 mm



	L1	L2	L3
1	Fase R	+ 5 V	+ 5 V
2	Fase S	HALL C	Inversione
3	Fase T	HALL B	Abilitazione
4	+ 220 V	HALL A	Led Allarme
5	GRN	GND	Max 5 V
6			SP
7			GND

SM 1 R



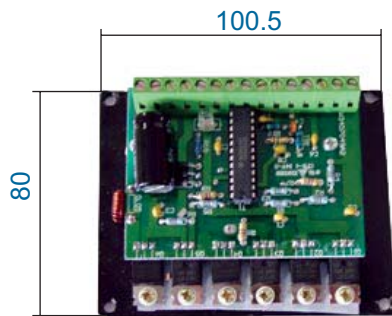
CONNECTION:

- PIN 1: HALL C
- PIN 2: HALL B
- PIN 3: HALL A
- PIN 4: +V
- PIN 5: 0V
- PIN 6: SPEED
- PIN 7: F/R
- PIN 8: ABILITAZIONE
- PIN 9: BRAKE
- PIN 10:
- PIN 11: PHASE U (MOTOR)
- PIN 12: PHASE V (MOTOR)
- PIN 13: PHASE W (MOTOR)
- PIN 14: NEGATIVE POWER (-)
- PIN 15: POSITIVE POWER (+)

NOTES

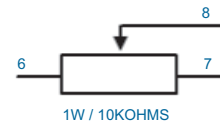
Voltage: 48 - 60 - 80 - 140 VDC
Current: 10/20 Avv
Temperature Range: -30°C ~ +75°C

SM 2



CONNECTION:

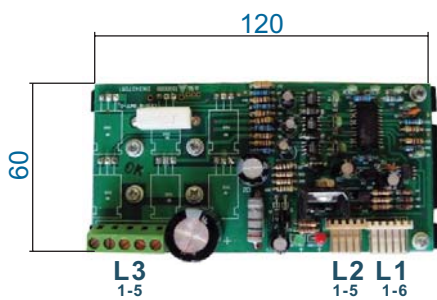
- PIN 1: POSITIVE POWER (+)
- PIN 2: NEGATIVE POWER (-)
- PIN 3: PHASE T (MOTOR)
- PIN 4: PHASE S (MOTOR)
- PIN 5: PHASE R (MOTOR)
- PIN 6: CONNECTION WITH EXTRIOR POWER TO ADJUST SPEED
- PIN 7: CONNECTION WITH EXTRIOR POWER TO ADJUST SPEED
- PIN 8: CONNECTION WITH EXTRIOR POWER TO ADJUST SPEED
- PIN 9: GND
- PIN 10: F/R (CONTROL ROTATION DIRECTION)
- PIN 11: GND
- PIN 12: HALL POSITIVE (Vcc)
- PIN 13: HALL C
- PIN 14: HALL B
- PIN 15: HALL A



NOTES

Voltage: 18 - 32 VDC
Current: 0 - 5 A
Temperature Range: -30°C ~ +75°C

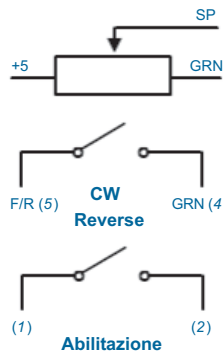
SM 1 New



- #### L1
- 1 - ABILITAZIONE
 - 2 - +5V
 - 3 - GRN
 - 4 - GRN
 - 5 - F/R
 - 6 - SP

- #### L2
- 1 - GRN
 - 2 - +5V
 - 3 - HALL A
 - 4 - HALL B
 - 5 - HALL C

- #### L3
- 1 - PHASE T
 - 2 - PHASE S
 - 3 - PHASE R
 - 4 - GRN
 - 5 - +48V



NOTES

Voltage: 18 - 48 VDC
Current: 0 - 20 A
Temperature Range: -30°C ~ +75°C
Running Hours: >= 10000 h
Output Power: 900 W



Motore brushless con diametro 57mm fino a 1,2 Nm con elettronica integrata in contenitore cubico di 60mm. Motore disponibile in varie taglie, azionamento SM 1 G 140 Volt, 10/20 A con caratteristiche analoghe a SM 1 R