

INCREMENTAL

APPLICATION

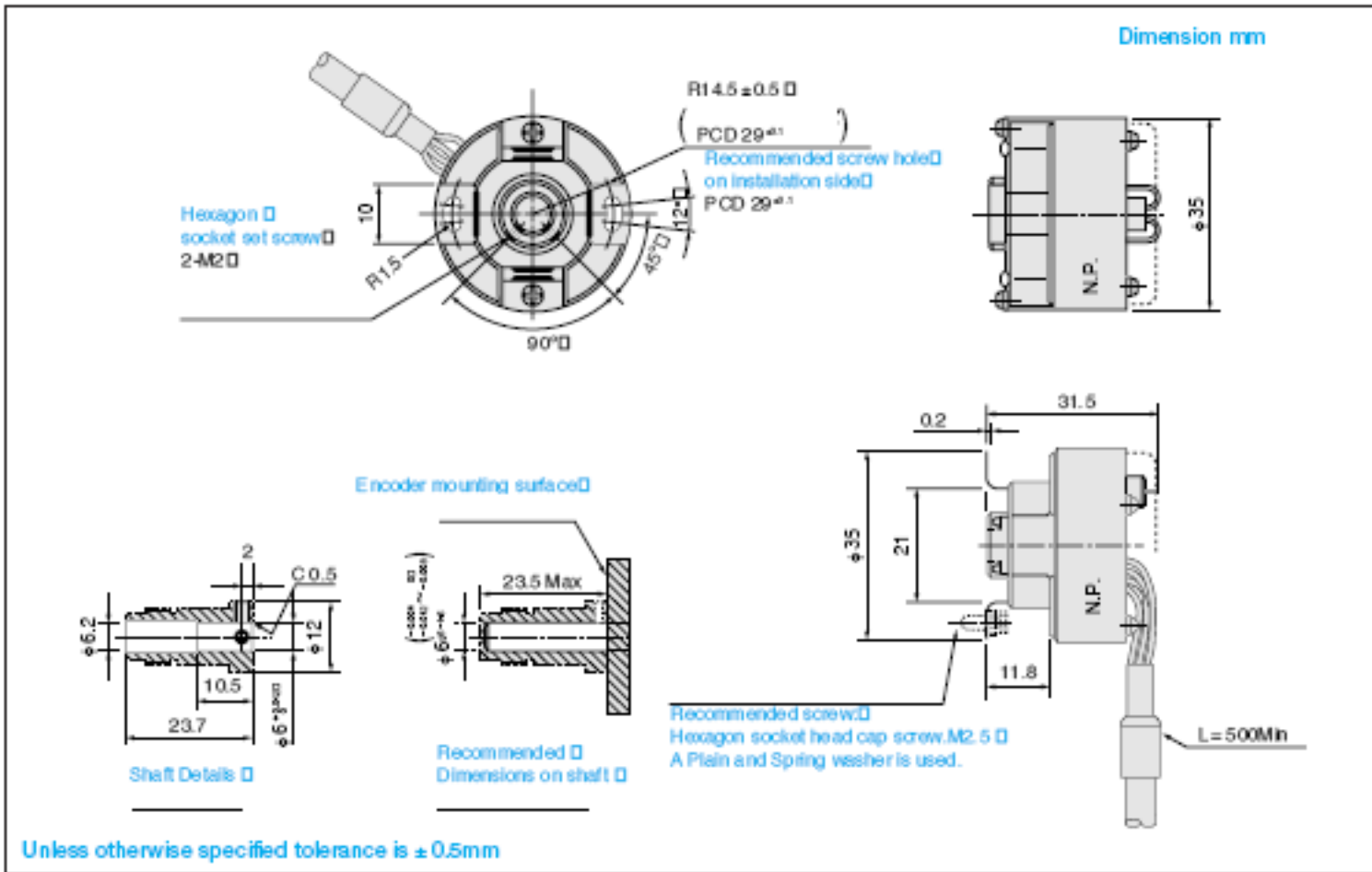
- Brushless DC Servo motor control

FEATURES

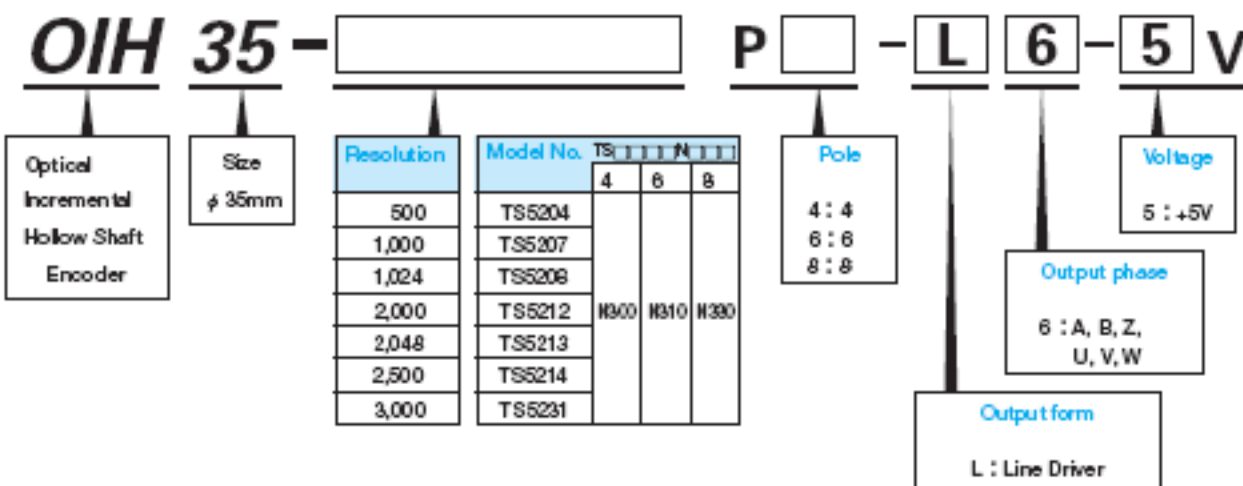
- Easy to attach
- Ultra Small Size



OIH35 Series



● DESIGNATE THE NAME OF FUNCTION WHEN ORDERING

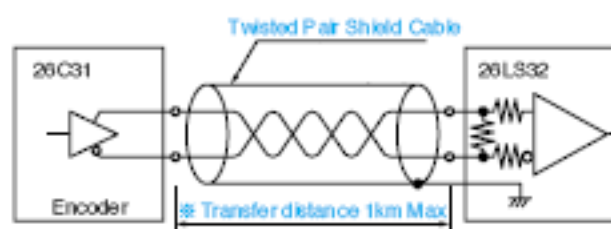


SPECIFICATIONS

Electrical Spec.		Mechanical Spec.			
Resolution	500~3,000 C/T	Starting Torque	$5.9 \times 10^{-3} \text{ N} \cdot \text{m}$ (80gf · cm Max)		
Supply Voltage	DC+5V ±5%	Moment of Inertia	$1.0 \times 10^{-6} \text{ kg} \cdot \text{m}^2$ (10g · cm ² Max)		
Consumption Current	200mA Max	Maximum Rotating Speed	$6,000 \text{ min}^{-1}$ (6,000rpm)		
Output Form	Line Driver	26C31	Radial Play	0.05mm TIR Max	
		Source Current	20mA Max	Axial End Play	0.2mm Max
		Sink Current	20mA Max	Shaft Inclination	0.1° Max
Maximum Response Frequency	200kHz Max	Operating Temp. Range	-20~+85°C		
Rise time, Fall time	100nsec. Max	Storage Temp. Range	-25~+85°C		
		Protective Construction	IP-40 Electronic Circuits Disclosed		
		Vibration	49 m/s^2 (5G) (1G)		
		Shock	490 m/s^2 (50G)		
		Mass	0.2kg Max		

CIRCUIT AT OUTPUT STAGE (EXAMPLE)

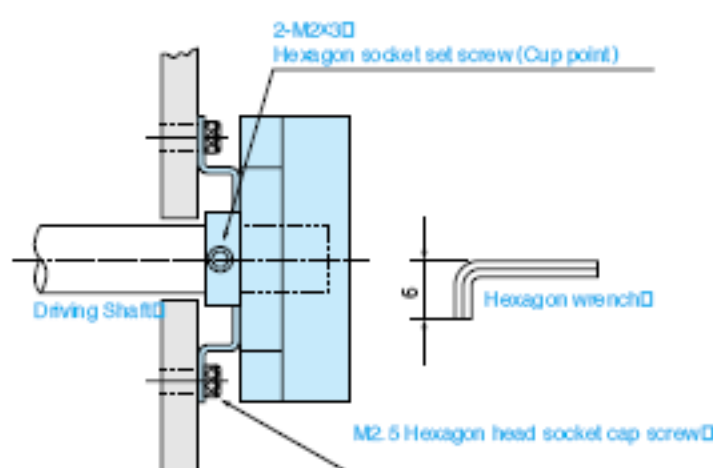
Line Driver Output



※Note that transfer distance depends much on ambient condition.

ATTACHING WAY (EXAMPLE)

Dimension mm



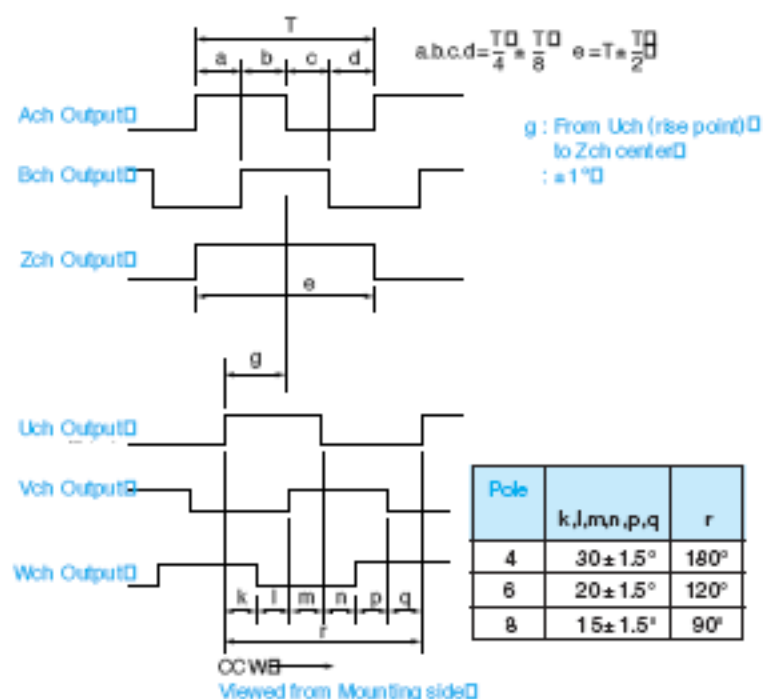
Please process and use the ball point wrench or hex wrench as shown in figure.

SPECIAL REQUIREMENTS

For special cases, please consult us.

- With cover
- Open collector output (5V, 1.2V)
- Less wiring type

OUTPUT PHASE SHIFT



CONNECTION TABLE

Lead color	Line driver Output
RED	DC+5V
BLACK	GND
BLUE	A ch Output
BLUE/BLACK	\bar{A} ch Output
GREEN	B ch Output
GREEN/BLACK	\bar{B} ch Output
YELLOW	Z ch Output
YELLOW/BLACK	\bar{Z} ch Output
BROWN	U ch Output
BROWN/BLACK	\bar{U} ch Output
GRAY	V ch Output
GRAY/BLACK	\bar{V} ch Output
WHITE	W ch Output
WHITE/BLACK	\bar{W} ch Output