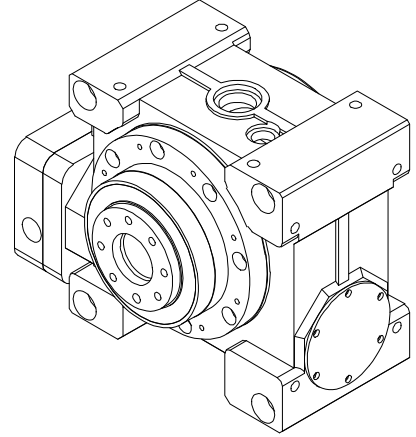
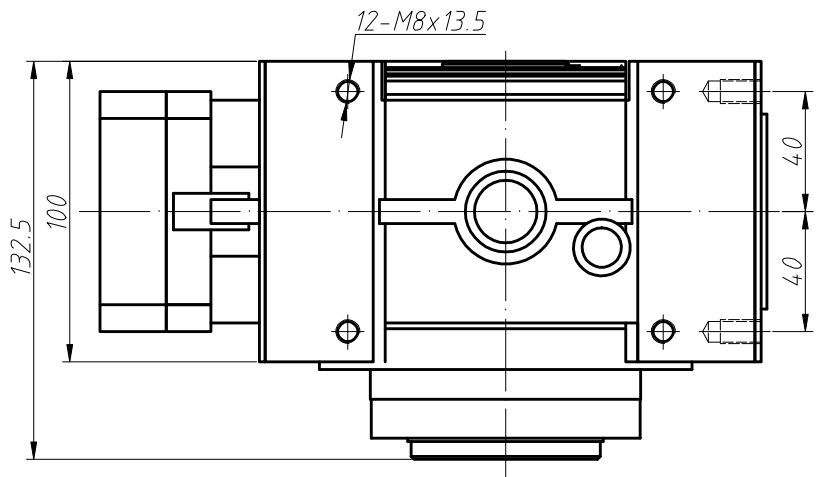



ratio	Efficiency
4	96%
7	94%
10	93%
16	90%
28	83%
40	78%



Nominal output torque: 43~71Nm  
 Max.output torque: 86~142Nm  
 Moment of inertia: 0.55~1.27Kgcm<sup>2</sup>  
 Advised input speed: 4000min<sup>-1</sup>  
 Max input speed: 6000min<sup>-1</sup>  
 Operating temp: -10°C~+90°C  
 Lubrication method: Lubricating by synthetic gear oil  
 Mounting position: Any  
 Degree of protection: IP64  
 Average lifetime: 20000h  
 Motor flange precision: DIN 42955-R  
 Backlash (Precise): < 3arcmin  
 Weigh: 8kg  
 Standard of output flange :ISO9409



ZW050.XXX.XXXX.XX


HIGH PERFORMANCE SOLUTIONS FOR INDUSTRIAL AUTOMATION  
<http://www.speedermotion.com>