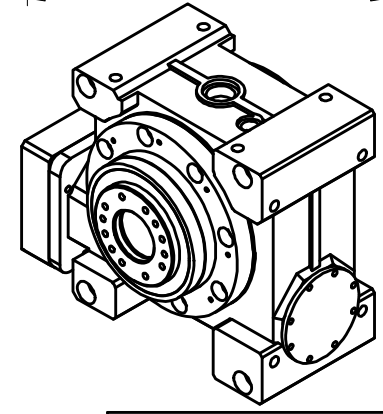
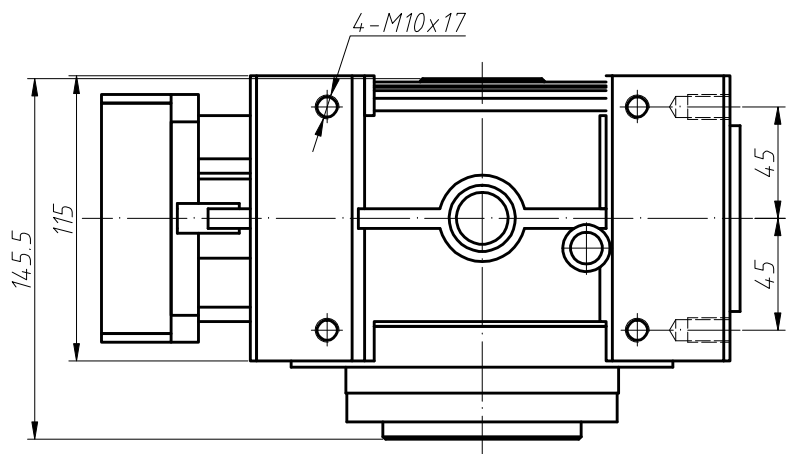


ratio	Efficiency
4	96%
7	95%
10	94%
16	91%
28	85%
40	81%

Nominal output torque: 87~165Nm
 Max.output torque: 174~330Nm
 Moment of inertia: 1.79~3.73Kgcm²
 Advised input speed: 4000min⁻¹
 Max input speed: 4500min⁻¹
 Operating temp: -10°C~+90°C
 Lubrication method: Lubricating by synthetic gear oil
 Mounting position: Any
 Degree of protection: IP64
 Average lifetime: 20000h
 Motor flange precision: DIN 42955-R
 Backlash: < 3arcmin
 Weigh: 16kg
 Standard of output flange :ISO9409



ZW063.XXX.XXXX.XX
