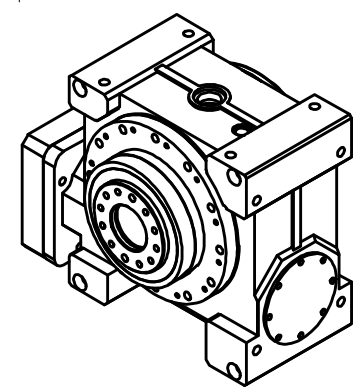
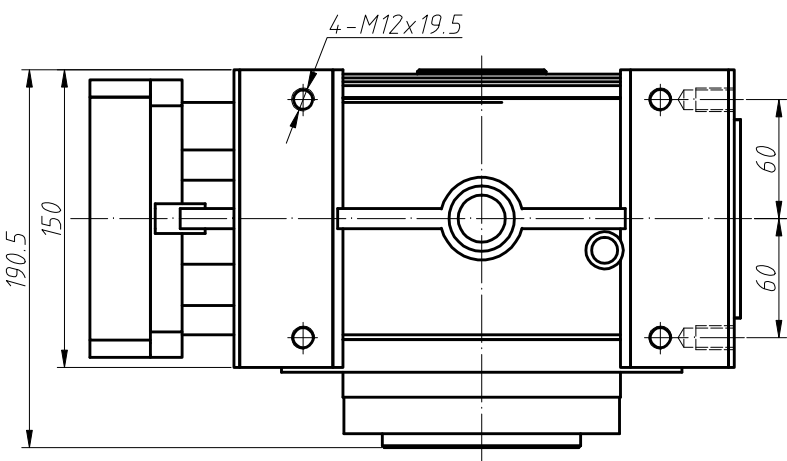


ratio	Efficiency
4	97%
7	96%
10	94%
16	92%
28	86%
40	81%

Nominal output torque: 155~301Nm  
 Max.output torque: 310~602Nm  
 Moment of inertia: 6.12~13.4Kgcm<sup>2</sup>  
 Advised input speed: 3500min<sup>-1</sup>  
 Max input speed: 4000min<sup>-1</sup>  
 Operating temp: -10°C~+90°C  
 Lubrication method: Lubricating by synthetic gear oil  
 Mounting position: Any  
 Degree of protection: IP64  
 Average lifetime: 20000h  
 Motor flange precision: DIN 42955-R  
 Backlash: < 3arcmin  
 Weigh: 30kg  
 Standard of output flange :ISO9409



ZW080.XXX.XXXX.XX